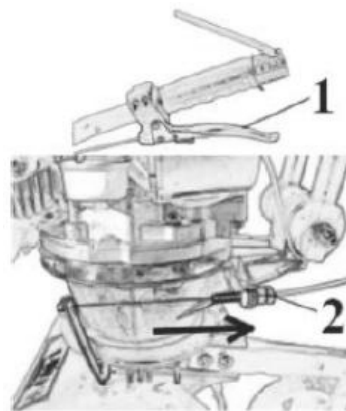
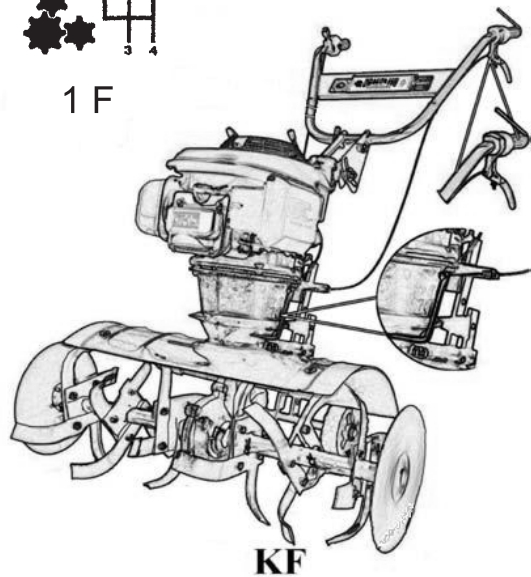


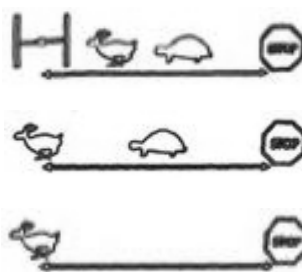
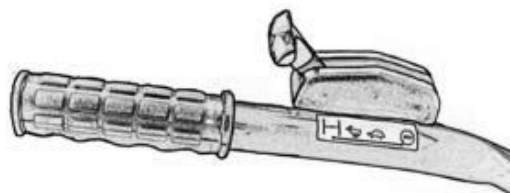
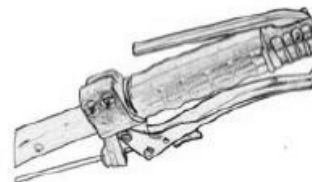
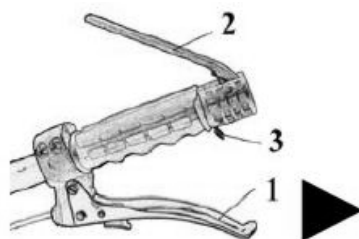


1 F

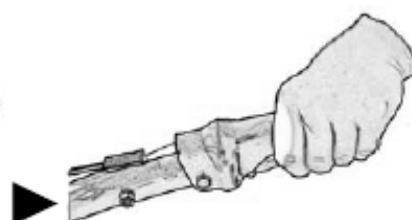
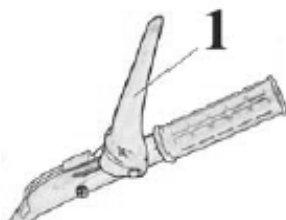


95 Octan

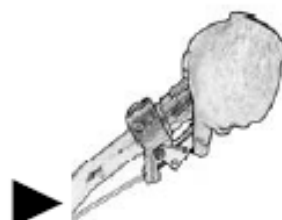
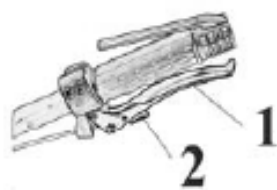
KF



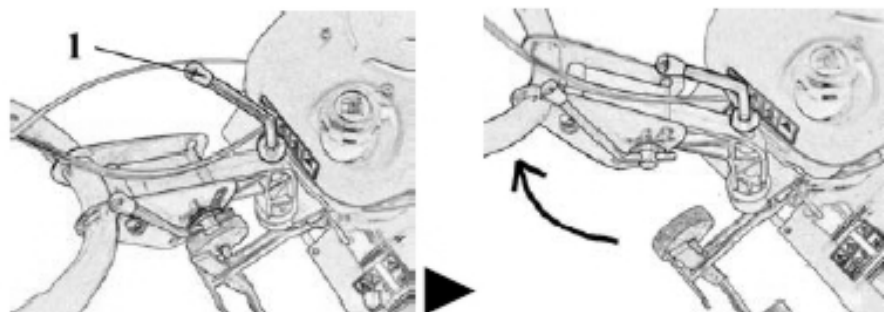
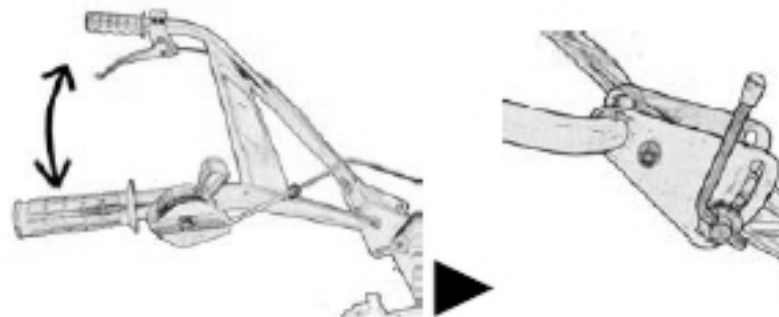
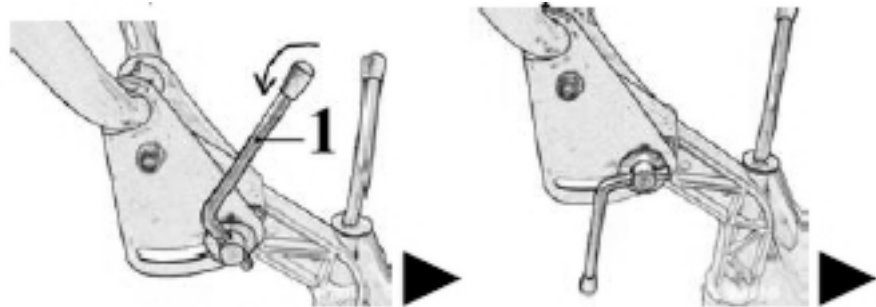
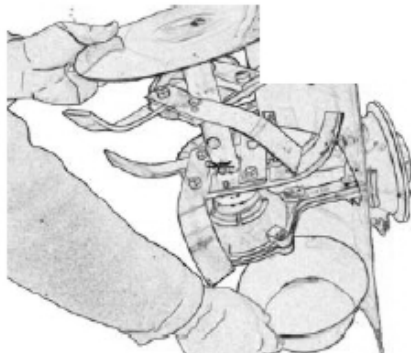
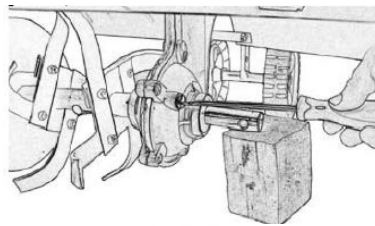
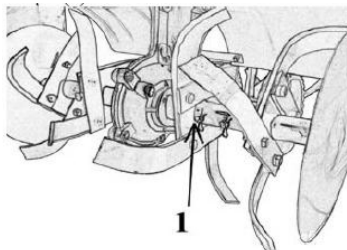
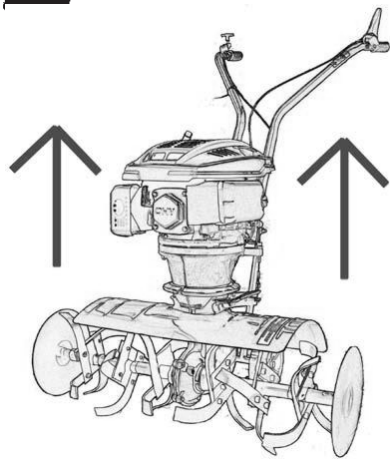
FK



KF



OIL SAE 80W-90



UNIV

